



figure

275

ends
formwafer type
straight

CHECK VALVE

body material	nominal pressure	nominal diameter	max. temperature
H brass	C 16 bar	DN 15-100	200°C
I stainless steel	E 40 bar	DN 15-300	300°C



FEATURES

- compact settlement
- environment-friendly
- no maintenance

APPLICATION

- hot and cold water plants
- low-pressure steam plants
- oil plants

Data given can be changed without notice.

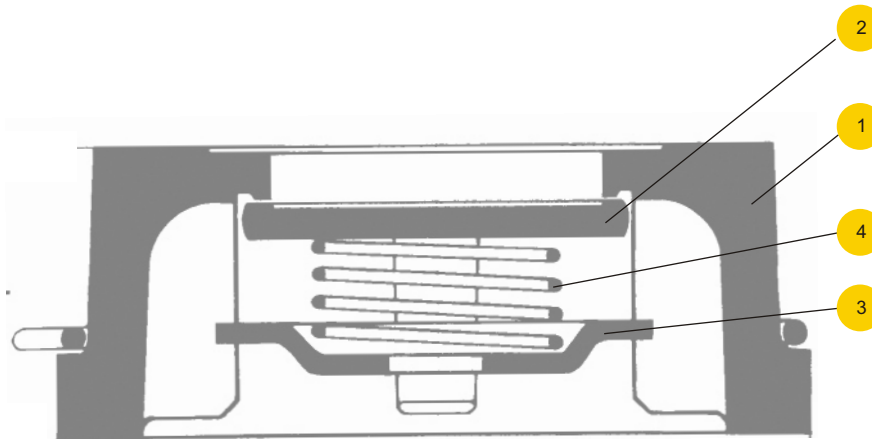
Edition 01/2011



figure **275**

ends form wafer type
straight

MATERIALS



	body material	H	I
	type	50	51
1	body	CuZn39Pb2	G-X6CrNiMo 18 10
2	disc	X6CrNiMoTi 17-12-2	X3CrNiMo 17-13-3
3	centring ring	X10CrNi 18-8	G-X6CrNiMo 18 10
4	spring	X6CrNiMoTi 17-12-2	X3CrNiMo 17-13-3
	max. temperature	200°C	300°C



figure

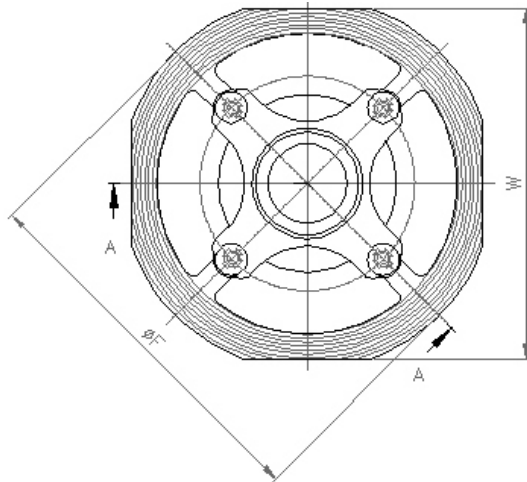
275

ends
form

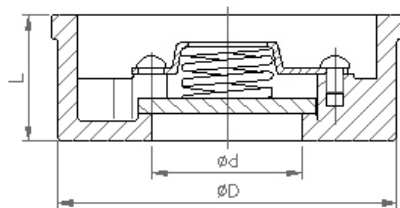
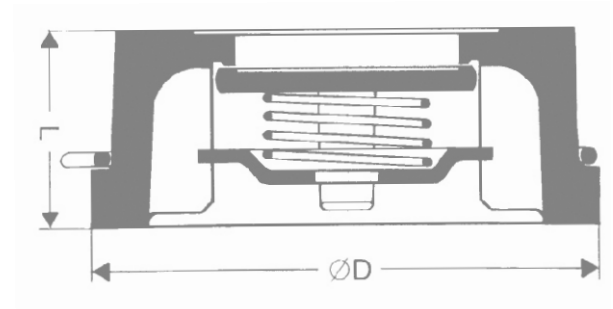
wafer type
straight

DIMENSIONS

type 275I



type 275H



DN	275I							275H				
	g	d	D	F	W	L		g	D	L		
mm	inch	mm					kg	inch	mm			kg
15	G 1/2	15	43	53	43	16	0,1	G 1/2	40	16	0,1	
20	G 3/4	20	53	63	53	19	0.16	G 3/4	47	19	0.13	
25	G 1	25	63	173	63	22	0,28	G 1	56	22	0,21	
32	G 1 1/4	30	75	84	75	28	0,52	G 1 1/4	72	28	0,48	
40	G 1 1/42	38	80	94	80	32	0,70	G 1 1/42	82	32	0,63	
50	G 2	47	95	107	95	40	1,1	G 2	95	40	1,0	
65	G 2 1/2	62	115	126	115	46	1,58	G 2 1/2	115	46	1,5	
80	G 3	77	131	145	131	50	1,78	G 3	132	50	2,0	
100	G 4	96	150	164	150	60	3,3	G 4	152	60	3,2	
125	G 5	119	180	190,5	190,5	90	8	-	-	-	-	
150	G 6	141	209	219	219	106	12	-	-	-	-	
200	G 8	190	272	282	282	140	22	-	-	-	-	
250	G 10	225	317	317	317	145	35	-	-	-	-	
300	G 12	280	369	380	380	160	45	-	-	-	-	

Data given can be changed without notice.

Edition 01/2011



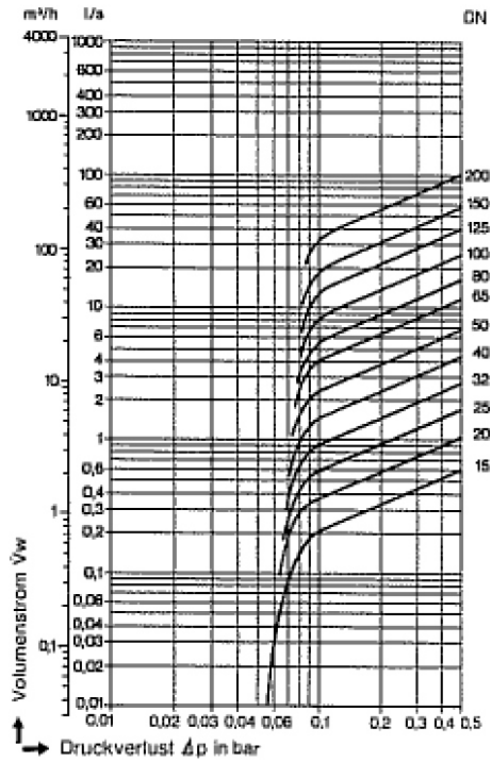
figure

275

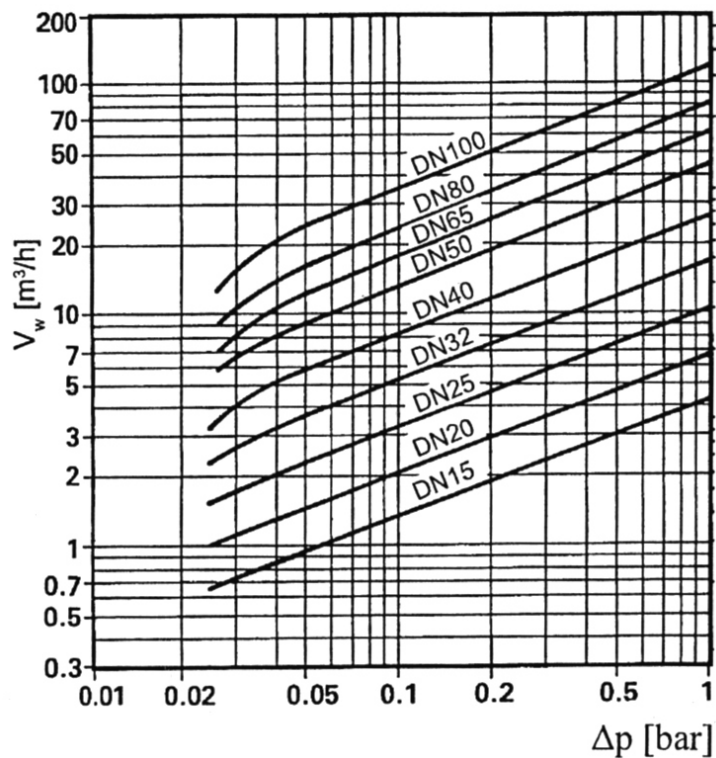
ends
form

wafer type
straight

HYDRAULIC CHARACTERISTICS 275I



HYDRAULIC CHARACTERISTICS 275H



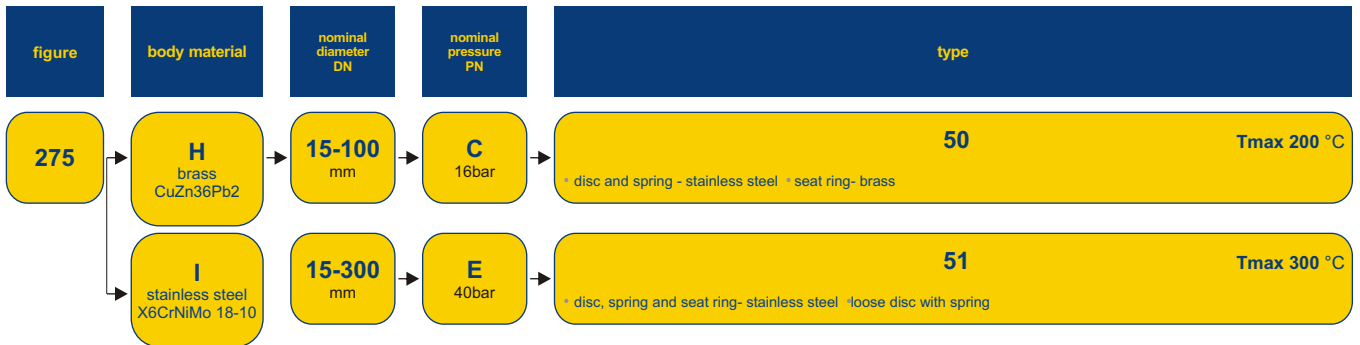
Data given can be changed without notice.

Edition 01/2011



figure 275
ends form wafer type straight

TYPES



ORDERING

To place an order please use our product number (index)



ORDER EXAMPLE

