



Forged Gate Valves
Fig. C800 Class 800
Size ½" – 2" (DN 15 – 50)

PDS – JC-C800 Rev.0



FIG. C800 GATE VALVE

API 602, MSS SP 118 & ASME B16.34

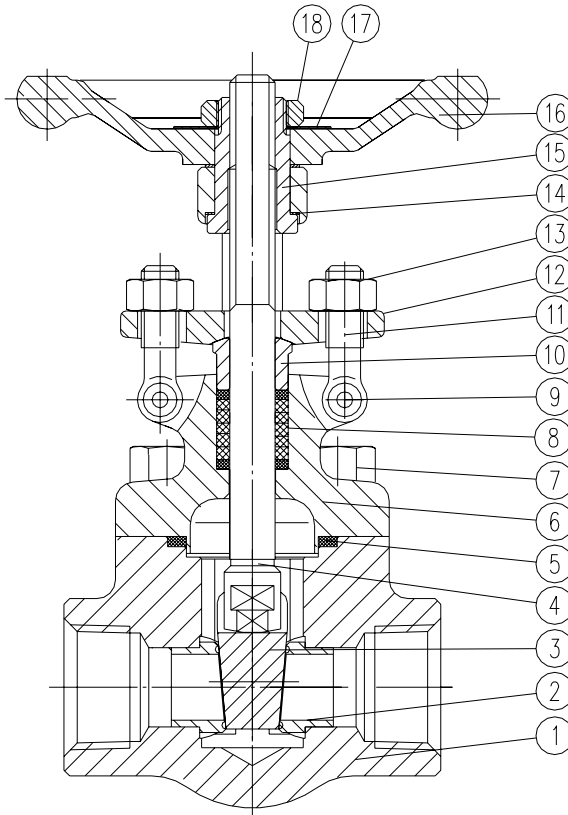
Connections according to:

ANSI B 1.20.1 (NPT)

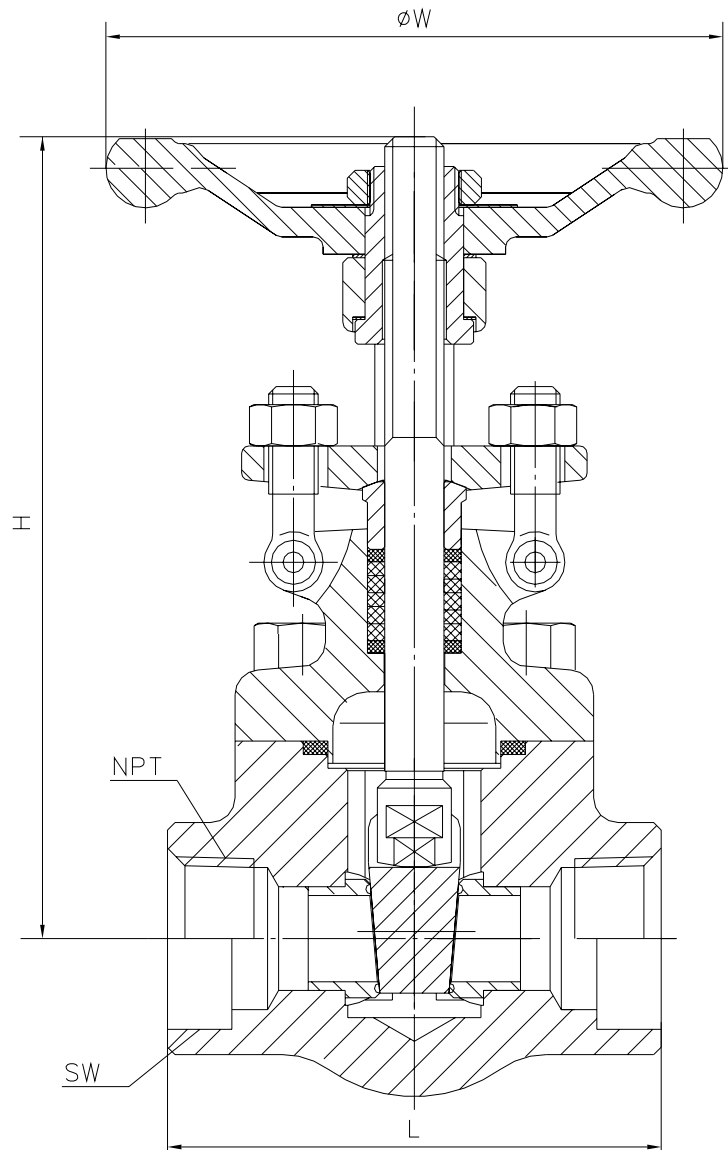
ANSI B 16.11 (SW)



Parts and materials



Item	Description	Material	
		Carbon Steel	Stainless Steel
1	Body	A 105	A 182 F316L
2	Seat	A 182 F6A + STL	A 182 F316L + STL
3	Gate	A 182 F6A	A 182 F316L
4	Stem	AISI 410	A 182 F316L
5	Gasket	AISI 304 + Graphite	AISI 316 + Graphite
6	Bonnet	A 105	A 182 F316L
7	Bolt	A 193 B7	A 193 B8M
8	Packing	Flexible Graphite + Carbon Fibre	
9	Pin	AISI 420	AISI 304
10	Packing Gland	AISI 420	AISI 316L
11	Eye Bolt	A 193 B8	A 193 B8M
12	Gland Flange	A 105	A 182 F316L
13	Hex Nut	A 194 8	A 194 8M
14	Washer	AISI 410	
15	Yoke Nut	AISI 410	
16	Handw heel	A 197	
17	Nameplate	Aluminium	
18	Hex Nut	1035 Zinc Plated	



Dimensions

SIZE	L	NPT	ϕW	H
1/2" (DN 15)	73	1/2"	100	144
3/4" (DN 20)	80	3/4"	100	150
1" (DN 25)	100	1"	125	180
1 1/4" (DN 32)	114	1 1/4"	160	216
1 1/2" (DN 40)	120	1 1/2"	160	235
2" (DN 50)	130	2"	180	270

(*) Dimensions in mm.



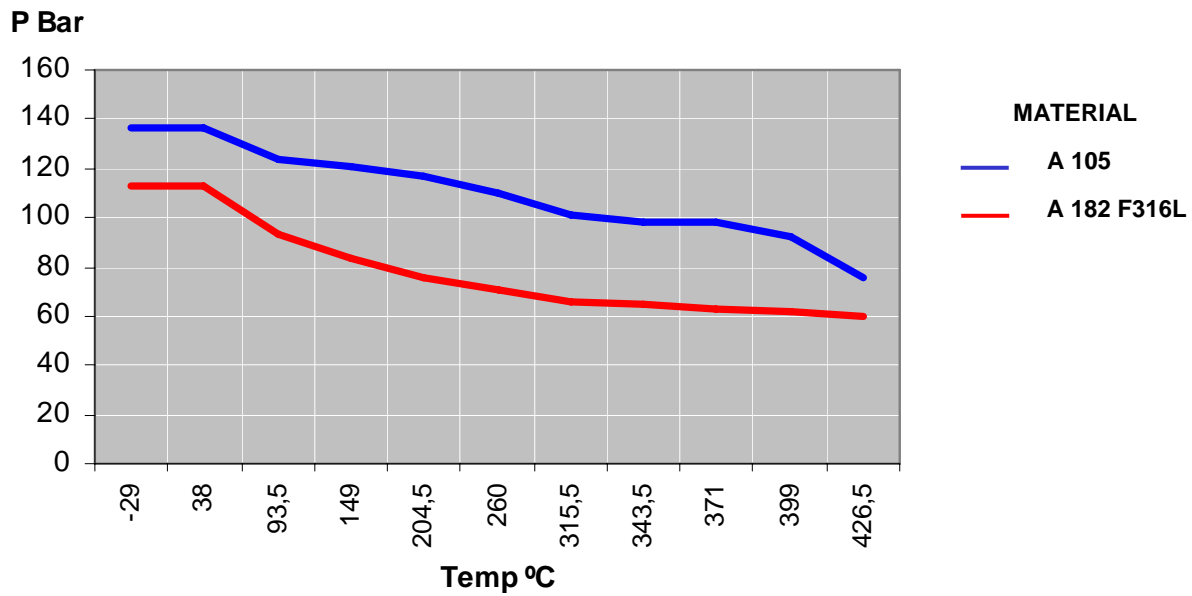
Forged Gate Valves

Fig. C800 Class 800

General Characteristics, P&T Rating

GENERAL CHARACTERISTICS	Forged Gate Valve		
DESIGN STANDARDS			
Valves design	API 602	ASME B 16.34	
Connections	ANSI B 1.20.1	ANSI B 16.11	
Face to face dimensions	Manufacturer's standard		
TESTS AND CERTIFICATES			
Quality Assurance	API 598		
Pressure testing	ISO 9001		
Marking	EN 12266-1		
	EN 19		

Pressure-Temperature





® Forged Gate Valves
Class 150/300 DN 15-50 (½” – 2”)



Fig. C150RF
Fig. C300RF
GATE VALVE

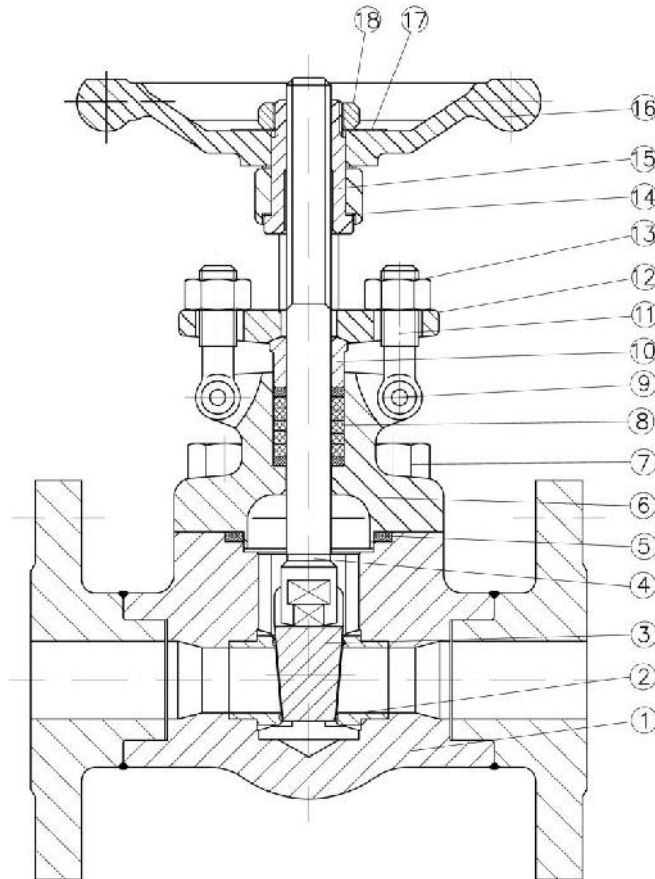
API, MSS SP & ASME B16.34
Connections according to:
ASME B16.5
CE

JC[®] Forged Gate Valves

Class 150/300

Parts and Materials

Parts and materials



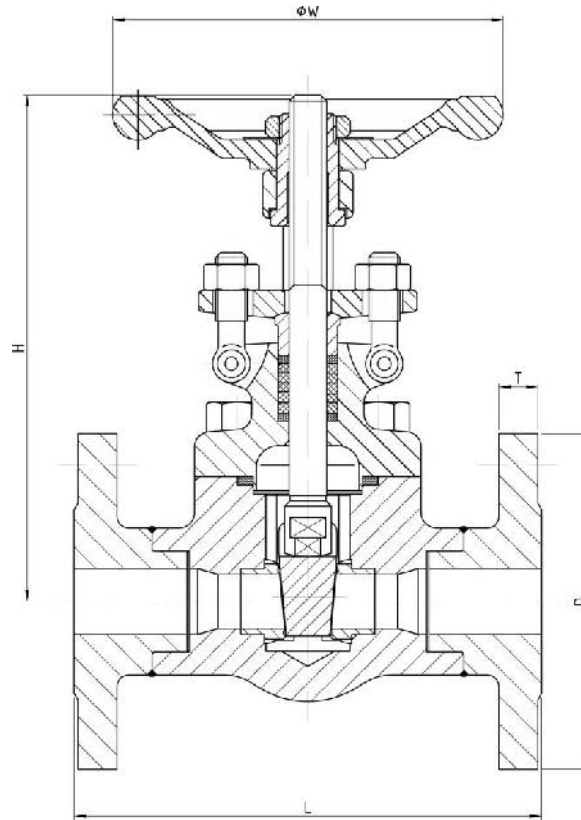
Item	Description	Material	
		Carbon Steel	Stainless Steel
1	Body	A 105	A 182 F316L
2	Seat	A 182 F6A + STL	A 182 F316L + STL
3	Gate	A 182 F6A + STL	A 182 F316L
4	Stem	AISI 410	A 182 F316L
5	Gasket	AISI 304 + Graphite	AISI 316 + Graphite
6	Bonnet	A 105	A 182 F316L
7	Bolt	A 193 B7	A 193 B8M
8	Packing	Flexible Graphite + Carbon Fibre	
9	Pin	AISI 420	AISI 304
10	Packing Gland	AISI 420	AISI 316L
11	Eye Bolt	A 193 B8	A 193 B8M
12	Gland Flange	A 105	A 182 F316L
13	Hex Nut	A 194 8	A 194 8M
14	Washer	AISI 410	
15	Yoke Nut	AISI 410	
16	Handwheel	A 197	
17	Nameplate	Aluminium	
18	Hex Nut	1035 Zinc Plated	

JC[®] Forged Gate Valves

Class 150/300

Dimensions

Dimensions



Series C150RF (Class 150)

SIZE	L	D	T	W	H	WEIGHT
½" (DN 15)	108	89	11,5	100	166	3,3
¾" (DN 20)	117	98	13	100	163	4
1" (DN 25)	127	108	14,5	125	193	6
1¼" (DN 32)	140	118	16	160	230	7
1½" (DN 40)	165	127	17,5	160	246	10
2" (DN 50)	178	152	19,5	180	263	16

(*) Dimensions in mm and weight in kg.

Series C300RF (Class 300)

SIZE	L	D	T	W	H	WEIGHT
½" (DN 15)	140	95	14,5	100	166	4,8
¾" (DN 20)	152	118	16	100	163	6,2
1" (DN 25)	165	124	17,5	125	193	9,3
1¼" (DN 32)	178	133	19,5	160	230	14
1½" (DN 40)	190	156	21	160	246	15,5
2" (DN 50)	216	165	22,5	180	263	23

(*) Dimensions in mm and weight in kg.

Note:

Dimensions not subject to International Standards can vary in $\pm 10\%$. ICP reserves the right to change those dimensions without notice, due to they do not affect integrity and performance of the valves.

JC Fábrica de válvulas, s.a.
E-Mail: jc@jc-valves.com
Internet: www.jc-valves.com

Authorized Distributor



® Forged Gate Valves Class 150/300

General Characteristics, Torque, Kv, P&T Rating

GENERAL CHARACTERISTICS	Forged Gate Valve		
DESIGN STANDARDS			
Valves design	API 602	ASME B 16.34	
Connections	ANSI B 1.20.1	ANSI B 16.11	
Face to face dimensions	ASME B16,10		
TESTS AND CERTIFICATES	API 598		
Quality Assurance	ISO 9001		
Pressure testing	EN 12266-1		
Marking	EN 19		

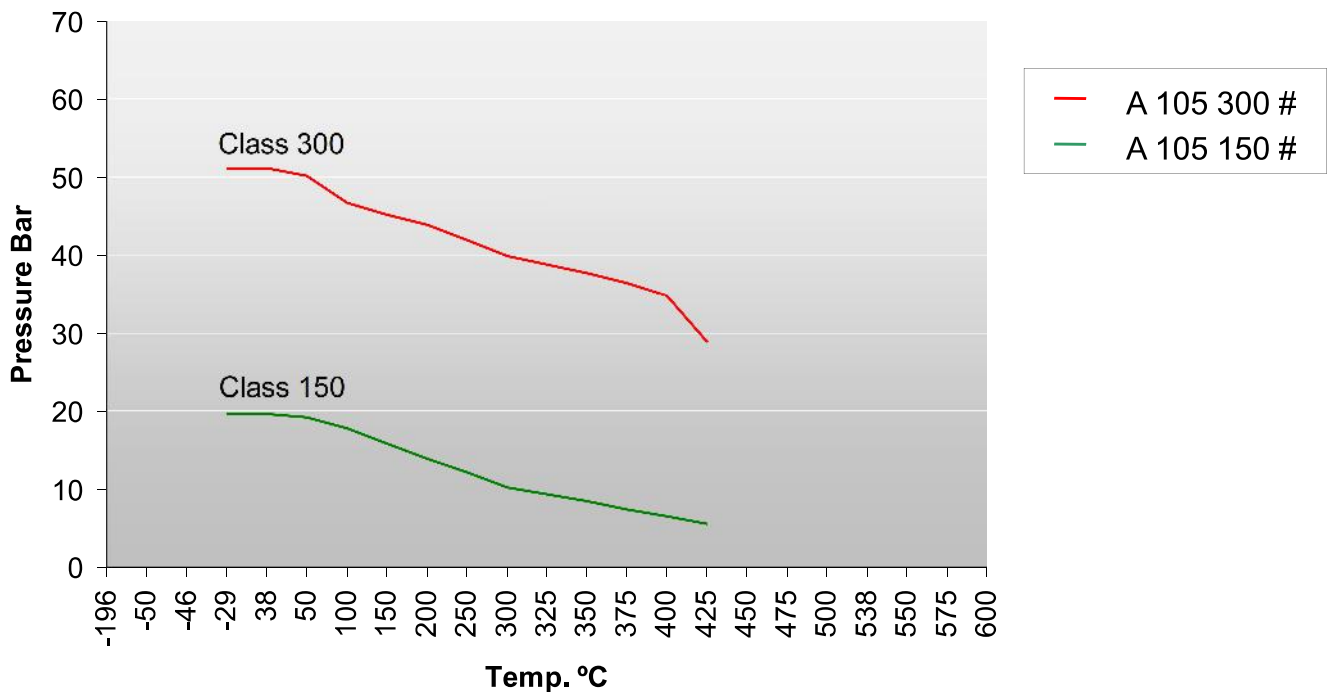
(*) Welded flanges

Kv Values in m3/h

VALVE SIZE	Kv	VALVE SIZE	Kv
½" (DN 15)	5,6	1¼" (DN 32)	38,9
¾" (DN 20)	9,6	1½" (DN 40)	57,9
1" (DN 25)	21,6	2" (DN 50)	98,2

Pressure-Temperature

A105





Forged Gate Valves Class 150/300

General Characteristics, Torque, KV, P&T Rating

Pressure-Temperature

A182 F316L

