

WAFER TYPE DUAL PLATE CHECK VALVE

CB 3449-EP



APPLICATION

General uses: pumping, water supply, gas, air conditioning installation.

GENERAL CHARACTERISTICS

Design in accordance with standard NF EN 12334 and NF EN 14341.
Range: From DN 40 to DN 600.

Mounting between flanges.

Working positions: horizontal and vertical ascending, and vertical descending position < DN 150.

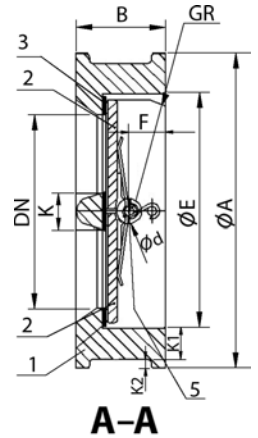
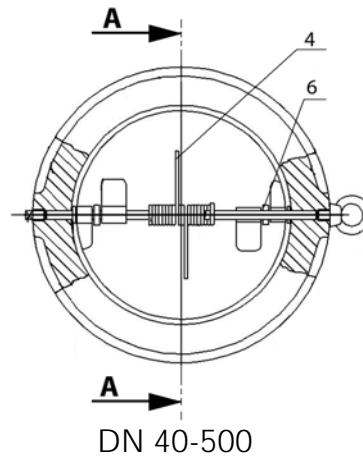
Mounting in accordance with many standards connections.

Low head loss.

Stainless steel spring technology to avoid fluid hammer.

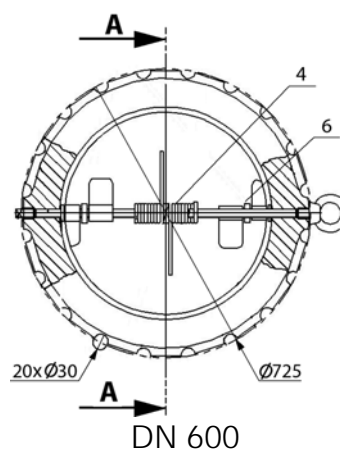
CONSTRUCTION

| | | | | |
|------|------|-------------|--|--|
| 6 | 6 | Washer | PTFE | |
| 5 | 2 | Stem | Stainless steel | |
| 4 | 2 | Spring | Stainless steel | |
| 3 | 2 | Gasket | EPDM | |
| 2 | 2 | Plate | GX5CrNiMo 19-11-2 | DIN: G-X6CrNiMo 18 10 ASTM: A351 Grade CF8M BS: 970 316 S16 |
| 1 | 2 | Body | Cast iron EN-GJL-250 (DN40-500) Ductile iron EN-GJS-400-15 (DN 600) | DIN: GG25 ASTM: A48 class 40B BS: 1452 Grade 250 DIN: GGG 40 ASTM: A536 65-45-12 BS: 1563 EN-JS1030 |
| Rep. | Qty. | Description | Material | |



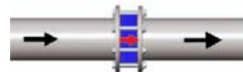
DIMENSIONS

| DN | | ØA | ØE | B | GR | F | Ød | K | K1 | K2 | Weight (kg) |
|-----|-------|-----|-----|-----|-------|----|----|------|------|------|-------------|
| mm | inch | | | | | | | | | | |
| 40 | 1"1/2 | 92 | 57 | 43 | 25 | 19 | 5 | 12 | 7 | 11 | 1.05 |
| 50 | 2" | 107 | 65 | 43 | 28,8 | 19 | 6 | 17,5 | 10 | 12 | 1.6 |
| 65 | 2"1/2 | 127 | 80 | 46 | 36,1 | 20 | 6 | 18,5 | 13 | 11 | 2.4 |
| 80 | 3" | 142 | 94 | 64 | 43,4 | 28 | 6 | 24,5 | 14 | 11 | 3.75 |
| 100 | 4" | 162 | 117 | 64 | 52,8 | 27 | 8 | 26 | 14 | 9 | 4.85 |
| 125 | 5" | 192 | 145 | 70 | 65,7 | 30 | 8 | 29 | 14,5 | 9 | 6.75 |
| 150 | 6" | 218 | 171 | 76 | 78,6 | 31 | 10 | 31,5 | 18,5 | 5,5 | 9.15 |
| 200 | 8" | 273 | 224 | 89 | 104,4 | 33 | 10 | 36 | 15 | 10 | 15.6 |
| 250 | 10" | 328 | 265 | 114 | 127 | 50 | 14 | 44 | 18 | 16 | 26.95 |
| 300 | 12" | 378 | 310 | 114 | 148,3 | 43 | 14 | 47 | 19 | 14,5 | 36.8 |
| 350 | 14" | 438 | 360 | 127 | 172,4 | 45 | 14 | 50 | 24 | 15 | 55.00 |
| 400 | 16" | 488 | 410 | 140 | 197,4 | 52 | 17 | 53 | 27 | 13 | 73.00 |
| 450 | 18" | 538 | 454 | 152 | 217,8 | 58 | 20 | 60 | 31 | 13 | 99.00 |
| 500 | 20" | 592 | 505 | 152 | 241 | 58 | 20 | 76 | 32 | 12 | 117.00 |
| 600 | 24" | 720 | 624 | 178 | 295,4 | 73 | 22 | 100 | 28,5 | 20,5 | 177.00 |



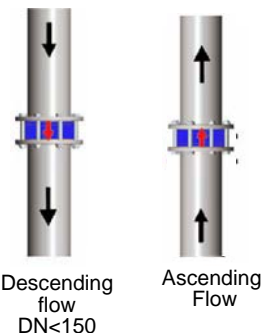
Horizontal

For assembling in horizontal position, check axis as to be placed in vertical position.



Vertical

To be assembled in vertical position the opening direction of the plates has to be in accordance to the direction of the fluid.



WORKING CONDITIONS

Minimum opening pressure : near to zero

Maximum working pressure : 16 bar.

Maximum temperature : +110°C.

Pressure test according to standards

EN 12266-1, DIN 3230, BS 6755 and ISO 5208 :

Body : 24 bar.

Seat : 17,6 bar.

STANDARDS

Manufacture according to the requirements of the European directive 97/23/CE «Equipment under pressure»: category III modulate H. (For DN 40-600)

Face to face according to standard EN 558-1 serie 16.

Mounting between flanges according to standard EN 1092-2 : PN 10/16.