



The art of power and perfection

# Declutchable Gear Operator

PDS - DG Rev.5

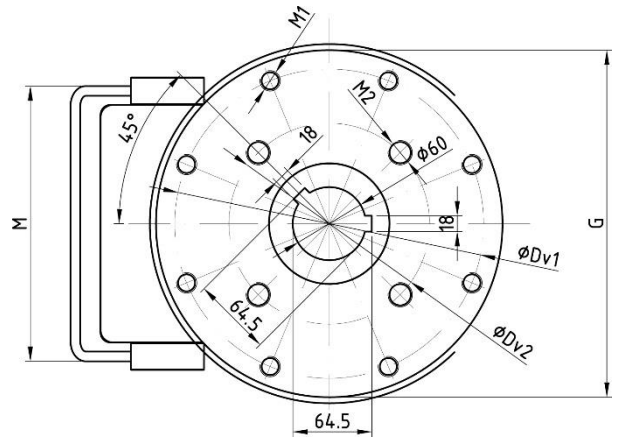
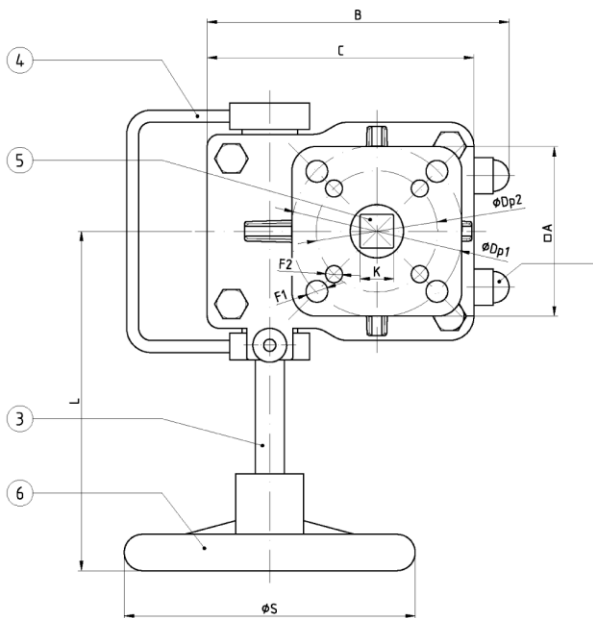
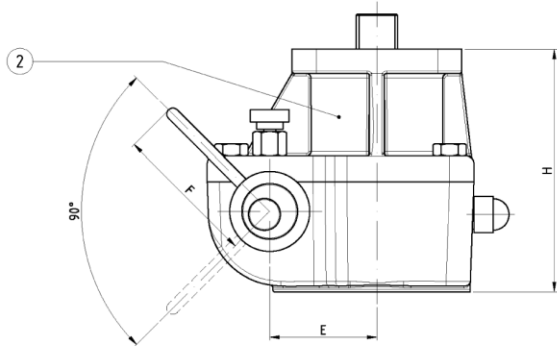
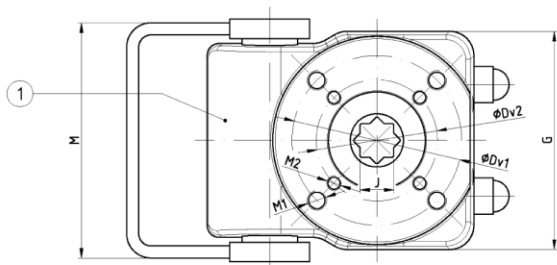


ISO 5211 – IP65

Quality & Environmental Management:



**TECHNICAL FEATURES**



ONLY DG-254

### CONSTRUCTION

Item	Description	Material
1	Body	Aluminium Alloy
2	Cover Plate	Aluminium Alloy
3	Shaft	Carbon Steel
4	Lever	Carbon Steel
5	Join Shaft	Carbon Steel
6	Handwheel	Carbon steel Epoxy painted
7	Nut protection cup	NBR
	Worm	Ductil Iron
	Worm Gear	Carbon Steel
	Screws	Steel

### DIMENSIONS

Model	Gear Ratio	Output Torque	A	B	C	E	F	Dp1	F1	Dp2	F2	Dv1	M1	Dv2	M2	J	K	G	H	L	M	$\phi S$	Weight (Kg)
DG-050	1:40	300 Nm	70	125	110	44	54	70 (F07)	8.5	50 (F05)	6.5	70 (F07)	M8	50 (F05)	M6	17	14	90	100	130	104	200	2.3
DG-102	1:36	810 Nm	115	185	160	65	70	125 (F12)	13	102 (F10)	11	125 (F12)	M12	102 (F10)	M10	27	22	140	124	180	140	300	5.6
DG-140	1:50	1310 Nm	140	230	210	85	78	140 (F14)	17	102 (F10)	11	140 (F14)	M16	--	--	36	27	190	162	300	180	400	12.5
DG-165	1:55	2800 Nm	165	268	243	105	105	165 (F16)	21	140 (F14)	17	165 (F16)	M20	--	--	36	36	230	181	385	210	600	25.8
DG-254	1:50	5500 Nm	$\phi 295$	330	283	130	115	254 (F25)	17	165 (F16)	21	254 (F25)	M16	165 (F16)	M20	$\phi 60$	46	285	205	400	225	700	40.3

(\*) Only for serie ASR.



# Declutchable gear operator

## GENERAL CHARACTERISTICS

Item	Description	Material
Aluminium housing	Actreg's direct mounting	User-friendly
Rugged construction	Compact design – low weight	Double adjustment stroke
Sealed to IP-65	Integral top flange	ISO 5211 double drilling

### DG-50

ACTREG direct mounting Double Acting Actuator

ADA 0020 F05 / ADA 0040 F05

ADA 0080 / ADA 0130

ADA 0200

ACTREG direct mounting Single Acting

ASR 0020 F05 / ASR 0040 F05

ASR 0080 / ADA 0130

### DG-102

ACTREG direct mounting Double Acting Actuator

ADA 0500 / ADA 300

ADA 0850

ACTREG direct mounting Single Acting

ASR 0300

ASR 0500

### DG-140

ACTREG direct mounting Double Acting Actuator

ADA 1200

ADA 1750

ACTREG direct mounting Single Acting

ASR 0850

### DG-165

ACTREG direct mounting Double Acting Actuator

ADA 1200

ADA 1750

ADA 2100

ACTREG direct mounting Single Acting

ASR 1200

ASR 1750

### DG-254

ACTREG direct mounting Double Acting Actuator

ADA 2100

ADA 2500

ADA 4000

ACTREG direct mounting Single Acting

ASR 2100 (\*)

ASR 2500 (\*)

ASR 4000 S08

(\*)Calculated with maximum springs sets

**NOTE: This sizing sheet is given only as a guidelines**



**ACTREG, S.A. (Headquarters)**

C/ Cantabria, 2  
Polígono Industrial Les Salines  
08830 Sant Boi del Llobregat  
Barcelona (Spain)  
Phone +34 93 661 44 10  
Fax +34 93 654 33 93

[actreg@actreg.com](mailto:actreg@actreg.com)

**ACTREG do Brasil, Sorocaba (SP)**

Avenida Liberdade, 4565  
Bairro Iporanga - Sorocaba - SP  
CEP 18.087-170  
Sao Paulo, Brasil  
Phone: 0055 (0) 15 3228 1010  
Fax: 055 (0) 15 3235 9511

[actreg@actregdobrasil.com.br](mailto:actreg@actregdobrasil.com.br)

**ACTREG Shanghai Actuator Co. Ltd.**

No.658, Block A, Qiang Ye Road  
SheShan Industrial Zone  
SongJiang District, Shanghai  
P.R.C. 201602

Phone: 0086 21 57796818  
Fax: 0086 21 57792426

[sale@actreg.net.cn](mailto:sale@actreg.net.cn)

**ACTREG UK, LTD**

Units 2 & 3 Henson Close  
Telford Way Industrial Estate  
Kettering Northants NN 16 8PZ  
United Kingdom

Phone: 0044 1536412525  
Fax: 0044 1536521616

[sales@actreg.co.uk](mailto:sales@actreg.co.uk)

**ACTREG North America**

20201 Clark Graham  
Baie D'Urfé, Québec  
H9X 3T5 Canada

Phone: 001 514 457 5777  
Fax: 001 514 457 1348

Toll Free: 1 800 667 4819  
[jr@trueonline.ca](mailto:jr@trueonline.ca)

For further information visit our website

[www.actreg.com](http://www.actreg.com)