

DESCRIPTION:

Thermodynamic steam trap with integral strainer, in forged carbon steel construction, for steam mains, tracers, headers & drip legs.

FEATURES:

Complete stainless steel internals ensure better mechanical and corrosion resistance properties.

Hardened and lapped disc and seat provide a steam tight seal, withstanding continuous and prolonged operation. Condensate entry below the disc ensures a clean parallel lift of the disc with reference to the seat, eliminating localized wear & tear.

Ideal for fluctuating loads and pressures.

Perfect shut off, no steam loss.

SIZES : NPS ½, ¾, 1

CONNECTIONS : Screwed (NPT/BSPT/BSP)
Socket weld, Flanged* , Buttweld.

*End connection flanges of ASTM A105 forged carbon steel are welded on.

Non IBR¹ / IBR

LIMITING CONDITIONS:

PMA: Max. allowable pressure	710 psig
TMA: Max. allowable temp.	800 °F
Maximum operating back pressure at the outlet should not exceed 80% of the inlet pressure.	
Minimum differential pressure for satisfactory operation	3.5 psi
Cold hydro test pressure	1420 psig

INSTALLATION:

The trap will operate in any position but the preferred installation is in the horizontal plane with the disc cap on the top. Full port isolating valves should be installed upstream and downstream of the trap. Always open isolation valves slowly until normal operating conditions are achieved to avoid system shocks.



MAINTENANCE:

The trap can be maintained inline without disturbing the piping connections. Ensure that the trap is isolated - upstream and downstream - before attempting to dismantle it. **ALLOW THE TRAP TO COOL BEFORE DISMANTLING.**

For trouble-free performance, periodic cleaning of the disc and seat is recommended.

Do not use abrasive / corrosive media for cleaning.

Only the disc and seat are subject to wear.

All worn or damaged parts should be replaced with new spares. The disc seat is not replaceable.

IMPORTANT:

The trap should be installed as close as possible to the system drain point. For new installations, the system should be properly flushed prior to fitting the trap.

¹Indian Boiler Regulations

MATERIAL

No.	PART	MATERIAL	QTY. (Nos.)
1.	BODY	ASTM A105	01
2.	DISC CAP	ASTM A743 Gr. CA40	01
3.	STRAINER CAP	ASTM A743 Gr. CA40	01
4.	STRAINER SCREEN	AISI 304 (Perforated Sheet)	01
5.	DISC SEAT (Hardened)	AISI 420 / D2	01
6.	DISC (Hardened)	AISI 410 / 420 / D2	01
7*.	ISOTUB	STAINLESS STEEL	01

***OPTIONAL FITTINGS**

ISOTUB: An insulating cover reduces the effect of excessive heat loss resulting from low ambient temperatures, wind, rain, etc.

BLOW-DOWN VALVE: When the blow-down valve is opened, loose material collected in the strainer is purged.

DIMENSIONS - Nominal in inches

For Screwed / Socket Weld traps

SIZE	A	B	C	D	E	F	Wt.
1/2", 3/4"	3.35	4.02	2.17	3.35	1.6	1.91	2.8 lbs
1"	4.00	4.50	2.50	3.50	1.89	2.27	4.4 lbs

For Flanged traps

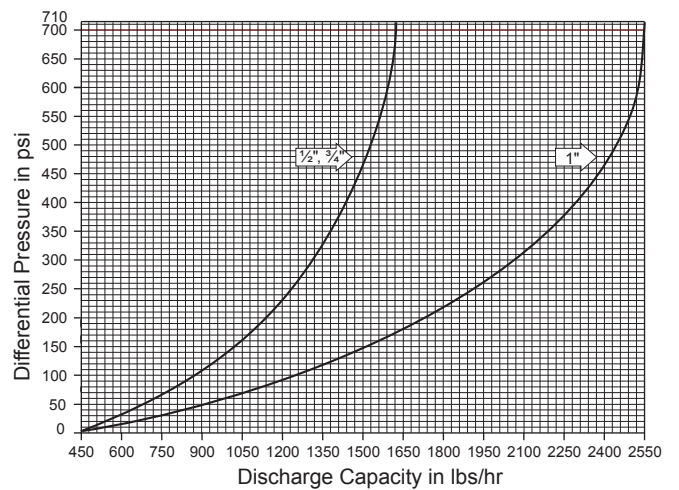
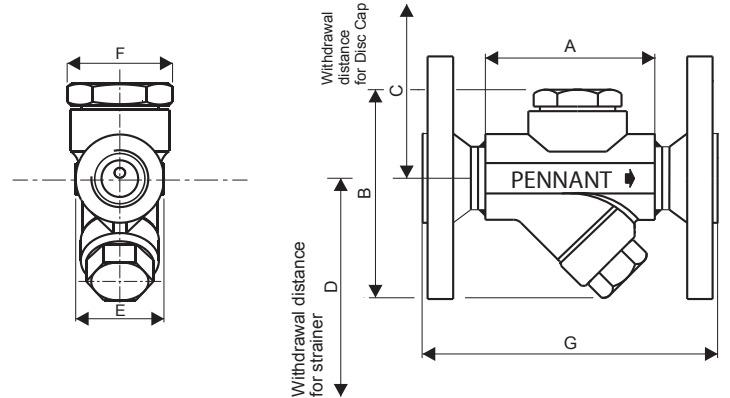
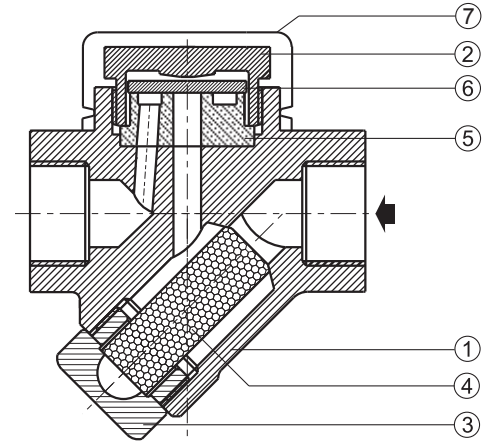
Size/Flange Rating	G	Wt. approx.
1/2" #150	6.38	5.50 lbs
1/2" #300	6.73	6.82 lbs
1/2" #600	7.20	7.70 lbs
3/4" #150	6.50	6.49 lbs
3/4" #300	6.89	8.36 lbs
3/4" #600	7.36	9.24 lbs
1" #150	7.40	9.57 lbs
1" #300	7.90	12.21 lbs
1" #600	8.10	13.20 lbs

AVAILABLE SPARES:

Disc, Gaskets, Strainer Screen (Packet of 5), Blow-down Valve, Isotub.

ORDERING INFORMATION:

Refer to "HOW TO ORDER" page.



Local regulations may restrict the use of this product below the conditions quoted. Limiting conditions refer to standard connections only. In the interest of development and improvement of the product, we reserve the right to change the specifications without prior notice.