

**DESCRIPTION:**

PT63 float and thermostatic (integral air vent) steam traps are designed for draining condensate from building heating installations. They can also be used in low pressure industrial installations.

**FEATURES:**

The "H" pattern offers users multiple fitment options.

Modulating discharge of hot condensate at close to saturation temperature.

Good air venting facilitates a fast start-up.

**USE:** Saturated and superheated steam

**SIZES:** NPS 3/4, 1, 1 1/4, 1 1/2, 2 (DN20, 25, 32, 40, 50)

**CONNECTIONS:** Screwed (NPT / BSPT / BSP)

**LIMITING CONDITIONS:**

PMA: Max. allowable pressure	225 psig	16 kg/cm <sup>2</sup> (g)
TMA: Max. allowable temperature	425 °F	220 °C
PMO: Max. operating pressure	125 psig	8.5 kg/cm <sup>2</sup> (g)
TMO: Max. operating temperature	425 °F	220 °C
Cold hydro test pressure	450 psig	32 kg/cm <sup>2</sup> (g)


**INSTALLATION:**

It is important to install the trap with the arrow on the label pointing straight up so that the connecting pipes are horizontal.

Inlet and outlet connections are marked on the housing. Select connections suitable to the piping installation and plug the others.

For effective condensate removal, the trap should be fitted below the drain point of the system being drained.

**TRAP DISCHARGE CAPACITY IN lbs/hr**

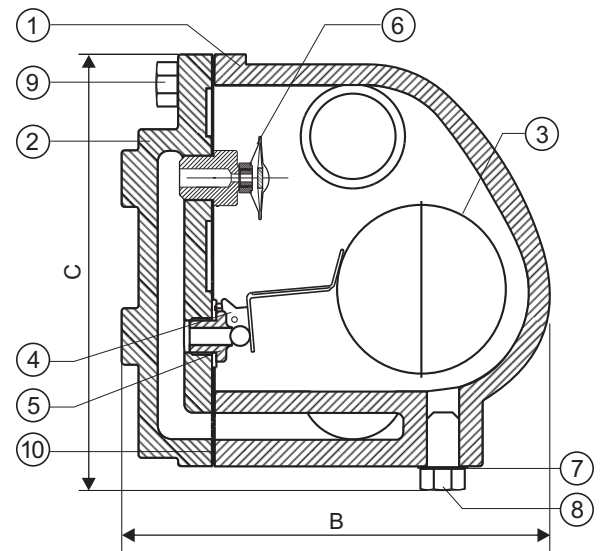
MODEL	Size	DIFFERENTIAL PRESSURE (psi)																
		1/4	1/2	1	2	5	10	15	20	25	30	40	50	60	75	90	100	125
PT63-15	3/4", 1"	385	490	670	905	1075	1450	1650	-----	-----	-----	-----	-----	-----	-----	-----	-----	-----
PT63-15	1 1/4"	430	570	770	1025	1880	2780	3005	-----	-----	-----	-----	-----	-----	-----	-----	-----	-----
PT63-15	1 1/2", 2"	2275	2775	3625	4625	6900	9050	10875	-----	-----	-----	-----	-----	-----	-----	-----	-----	-----
PT63-30	3/4", 1"	265	330	465	625	900	1050	1235	1425	1540	1650	-----	-----	-----	-----	-----	-----	-----
PT63-30	1 1/4"	385	490	670	905	1075	1450	1650	1850	2350	2700	-----	-----	-----	-----	-----	-----	-----
PT63-30	1 1/2", 2"	1300	1780	2550	3400	5180	6815	7800	8550	9270	9990	-----	-----	-----	-----	-----	-----	-----
PT63-75	3/4", 1"	240	300	420	505	630	725	820	905	980	1020	1190	1345	1480	1645	-----	-----	-----
PT63-75	1 1/4"	295	375	510	685	1010	1310	1450	1565	1620	1675	1950	2205	2290	2500	-----	-----	-----
PT63-75	1 1/2", 2"	535	720	970	1300	1910	2660	3050	3400	3700	4000	4390	4750	5085	5420	-----	-----	-----
PT63-125	3/4", 1"	225	285	350	385	455	500	535	600	650	720	850	1010	1100	1275	1400	1505	1640
PT63-125	1 1/4"	265	330	465	625	900	1050	1235	1425	1540	1650	1900	2115	2175	2385	2470	2680	2830
PT63-125	1 1/2", 2"	380	510	675	880	1310	1700	2065	2315	2515	2710	3035	3225	3505	3790	3965	4200	4480

**TRAP DISCHARGE CAPACITY IN kg/hr**

MODEL	Size	DIFFERENTIAL PRESSURE (kg/cm <sup>2</sup> )																
		0.02	0.04	0.07	0.14	0.35	0.70	1.00	1.40	1.75	2.10	2.80	3.50	4.20	5.25	6.35	7.00	8.50
PT63-1.0	DN20,25	175	225	305	410	490	660	750	-----	-----	-----	-----	-----	-----	-----	-----	-----	-----
PT63-1.0	DN32	195	260	350	465	855	1265	1365	-----	-----	-----	-----	-----	-----	-----	-----	-----	-----
PT63-1.0	DN40,50	1035	1260	1650	2100	3135	4115	4945	-----	-----	-----	-----	-----	-----	-----	-----	-----	-----
PT63-2.0	DN20,25	120	150	210	285	410	475	560	645	700	750	-----	-----	-----	-----	-----	-----	-----
PT63-2.0	DN32	175	225	305	410	490	660	750	840	1065	1225	-----	-----	-----	-----	-----	-----	-----
PT63-2.0	DN40,50	590	810	1160	1545	2355	3100	3545	3885	4215	4540	-----	-----	-----	-----	-----	-----	-----
PT63-5.0	DN20,25	110	135	190	230	285	330	375	410	445	465	540	610	670	745	-----	-----	-----
PT63-5.0	DN32	135	170	230	310	460	595	660	710	735	760	885	1000	1040	1135	-----	-----	-----
PT63-5.0	DN40,50	245	325	440	590	870	1210	1385	1545	1680	1820	1995	2160	2310	2465	-----	-----	-----
PT63-8.5	DN20,25	105	130	160	175	205	225	245	275	295	325	385	460	500	580	635	685	745
PT63-8.5	DN32	120	150	210	285	410	475	560	645	700	750	865	960	990	1085	1120	1215	1285
PT63-8.5	DN40,50	175	230	305	400	595	775	940	1050	1145	1230	1380	1465	1595	1725	1805	1910	2035

**MATERIAL:**

No.	PART	MATERIAL	QTY. (Nos.)
1.	BODY	CAST IRON	01
2.	COVER	CAST IRON	01
3.	BALL FLOAT & LEVER ASSY.	AISI 304	01
4.	BRACKET	AISI 304	01
5.	VALVE SEAT	13% CR STEEL / AISI 410 / 420	01
6.	AIR VENT	STAINLESS STEEL	01
7.	GASKET	CAF / Non CAF	01
8.	DRAIN PLUG	CARBON STEEL	01
9.	BOLT	HIGH TENSILE	06
10.	GASKET	CAF / Non CAF	01


**DIMENSIONS - Nominal in inches (mm)**

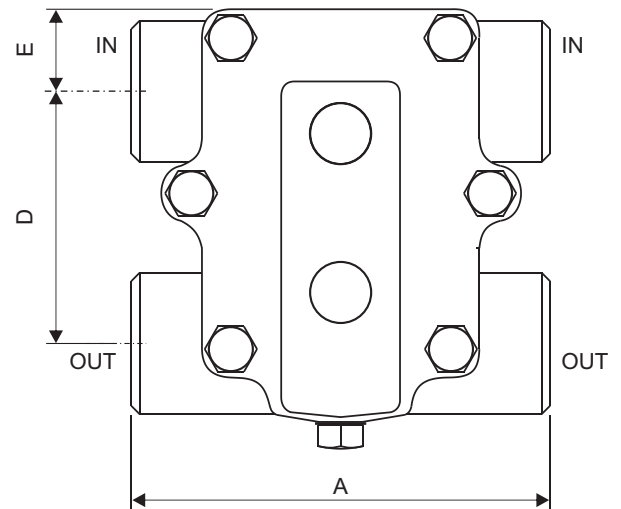
SIZE	A	B	C	D	E
¾", 1", 1¼" DN 20,25,32	5.75 (146)	6.00 (152)	6.00 (152)	3.38 (86)	1.13 (29)
1½", 2" DN40, 50	7.5 (190)	8.0 (205)	8.25 (210)	4.0 (100)	2.55 (65)

**WEIGHT (approx.)**

¾", 1" : 12.2 lbs (5.5 kg)

1¼" : 13.2 lbs (6 kg)

1½", 2" : 24.2 lbs (11 kg)


**AVAILABLE SPARES:**

Valve Seat, Ball Float &amp; Lever Assy., Air Vent, Gaskets.

**ORDERING INFORMATION:**

Refer to "HOW TO ORDER" page.

Local regulations may restrict the use of this product below the conditions quoted. Limiting conditions refer to standard connections only. In the interest of development and improvement of the product, we reserve the right to change the specifications without prior notice.