



C/SEVERO OCHOA,11 28914 LEGANES MADRID ESPAÑA  
TLF:+34 916 857 365 www.ttv.es valvulas@ttv.es

---

**VÁLVULA ALTAS PRESTACIONES PTFE-CF8M CUERPO PARTIDO**

**HIGH PERFORMANCE VALVE PTFE-CF8M TWO PIECES BODY**

**Presión De Trabajo Working Pressure: PN10/16-150 LBS**

**Conexión Bridas Flange Connection: PN10/16-ANSI 150 LBS**

---

Distancia entre caras : ISO 5752 Short, serie 20

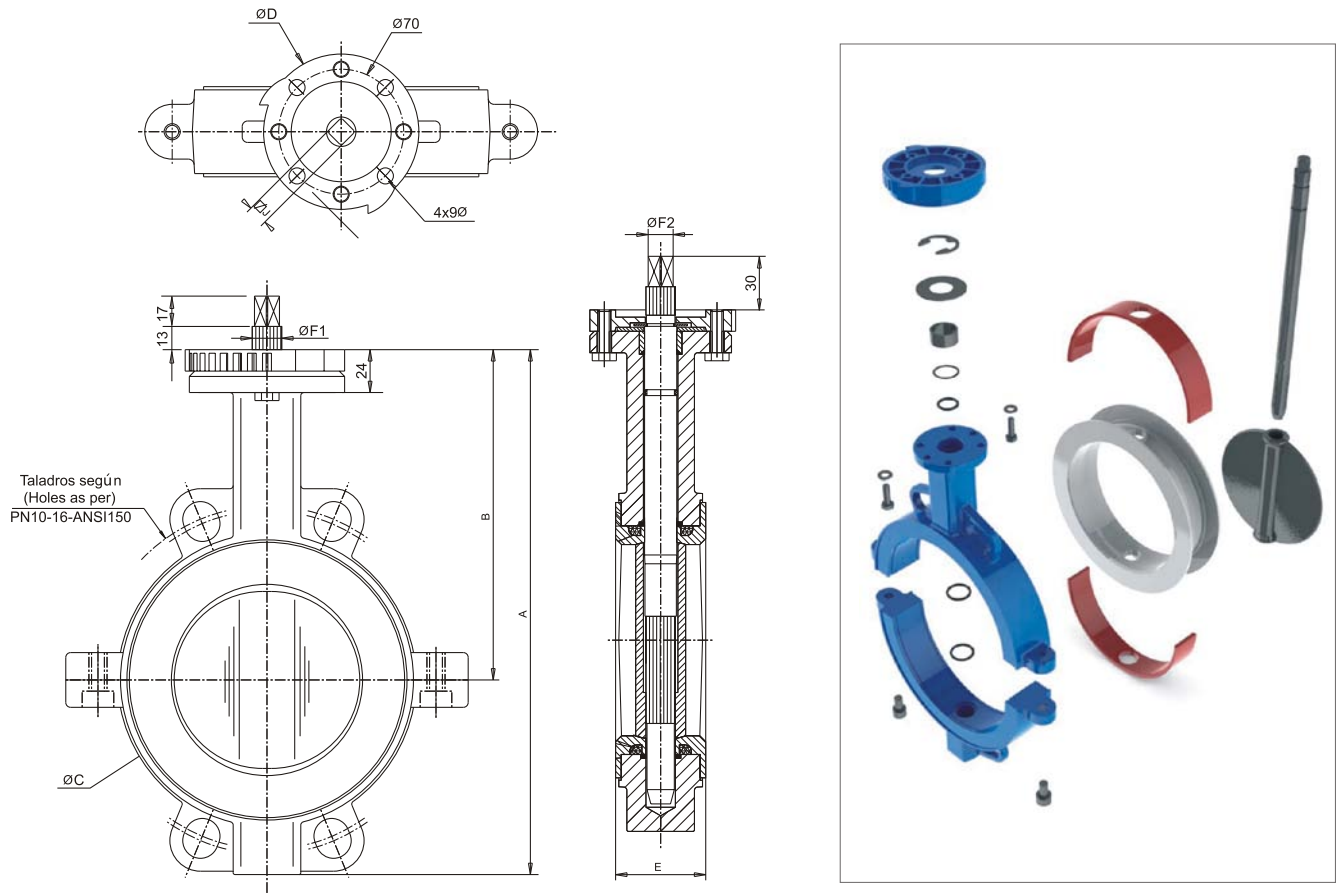
Face to Face : BS5155 Wafer Short/Medium

DIN 3202 part 3, serie K1

Brida Cabeza : ISO 5211

Top Flange :





**PTFE-CF8M CUERPO PARTIDO PTFE-CF8M TWO PIECES BODY**

DIMENSIONES DE LAS VALVULAS VALVES DIMENSIONS														PN 10		PN 16		ANSI150		
DN		A	B	C	D	E	F1	F2	G	J	L	NºXM	P	PESO WEIGHT	K	TALADROS HOLES	K	TALADROS HOLES	K	TALADROS HOLES
MM	"														Nº x T	Nº x T	Nº x T			
FIG. 1 DN40-300																				
40	1 1/2"	205	140	83	88	33	9.5	10.5	30	8	70	4x9	17	2.5	110	4x18	110	4x18	98.5	4x16
50	2"	226	156	103	88	43	9.5	10.5	30	8	70	4x9	17	4	125	4x18	125	4x18	120.6	4x19
65	2 1/2"	242	161	117	88	46	12	14.5	30	9	70	4x9	17	4.5	145	4x18	145	4x18	139.7	4x19
80	3"	262	167	134	88	46	14	16.5	30	11	70	4x9	17	5	160	4x18	160	4x18	152.4	4x19
100	4"	290	184	150	88	52	14	16.5	30	11	70	4x9	17	6.5	180	4x18	180	4x18	190.5	4x19
125	5"	326	207	185	105	56	17	18.5	30	14	70	4x9	17	9.5	210	4x18	210	4x18	215.9	4x23
150	6"	348	215	205	105	56	17	18.5	30	14	70	4x9	17	10.5	240	4x23	240	4x23	241.3	4x23
200	8"	438	257	270	105	60	21	22.5	30	17	70	4x9	17	17.5	295	4x23	295	4x23	298.5	4x23
250	10"	450	248	320	150	68	23	26.5	40	19	102	4x11	20	30.5	350	4x23	355	4x28	362	4x26
300	12"	515	280	373	150	78	26.5	28.5	40	22	102	4x11	20	42	400	4x23	410	4x28	431.8	4x26



C/SEVERO OCHOA,11 28914 LEGANES MADRID ESPAÑA  
TLF:+34 916 857 365 www.ttv.es valvulas@ttv.es

---

**VÁLVULA ALTAS PRESTACIONES PTFE-PTFE CUERPO PARTIDO**  
**HIGH PERFORMANCE VALVE PTFE-PTFE TWO PIECES BODY**

**Presión De Trabajo Working Pressure: PN10/16-150 LBS**

**Conexión Bridas Flange Connection: PN10/16-ANSI 150 LBS**

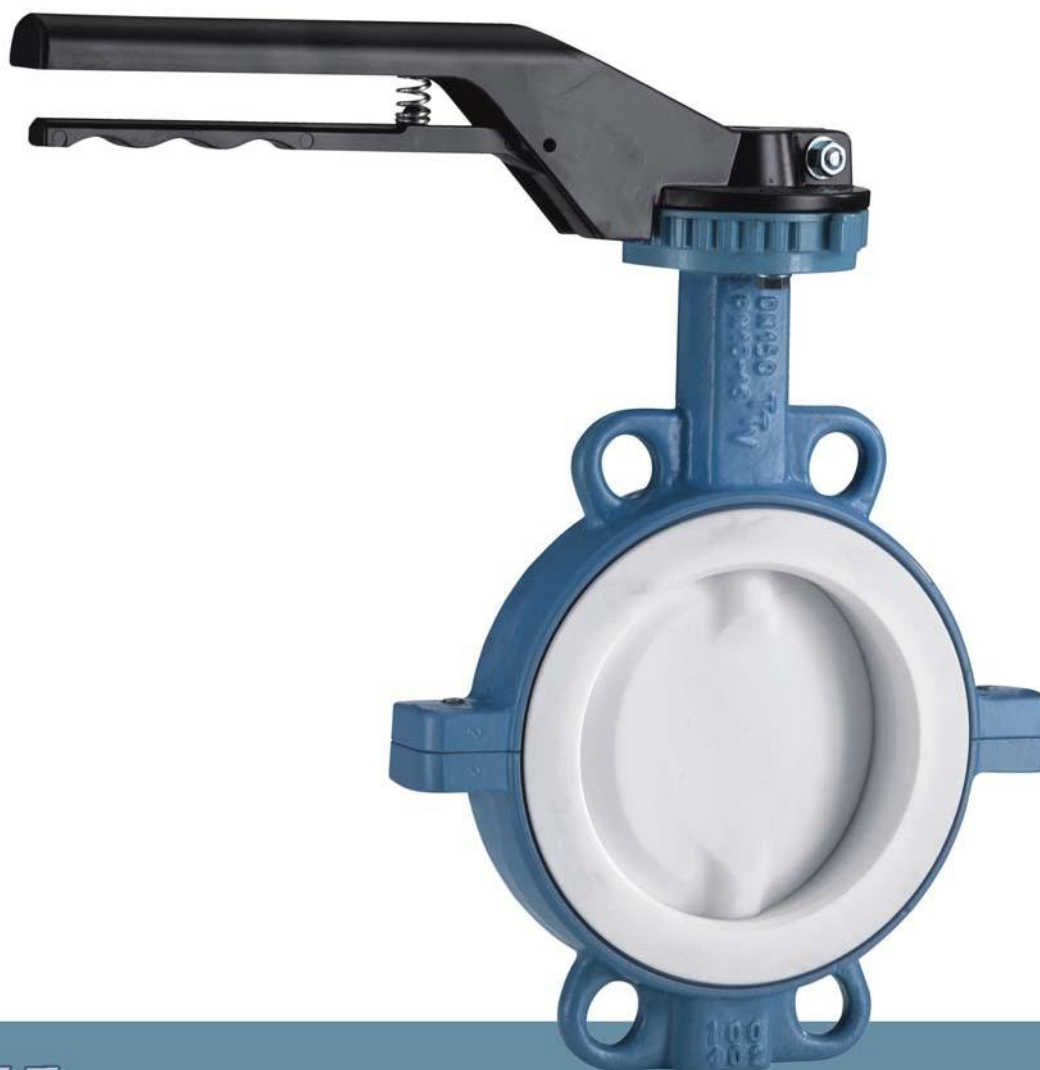
---

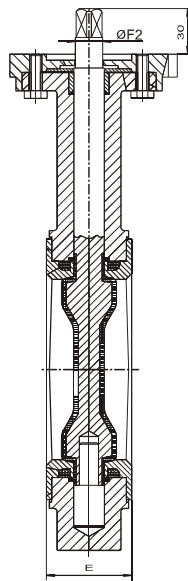
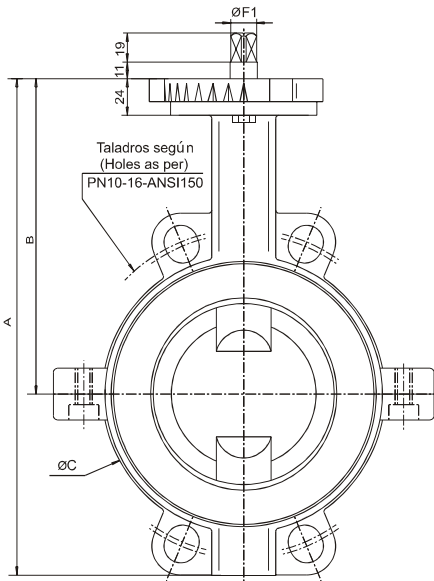
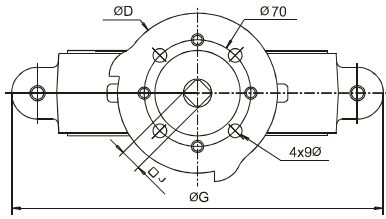
Distancia entre caras : ISO 5752 Short, serie 20

Face to Face : BS5155 Wafer Short/Medium  
DIN 3202 part 3, serie K1

Brida Cabeza : ISO 5211

Top Flange :





**PTFE-PTFE CUERPO PARTIDO      PTFE-PTFE TWO PIECES BODY**

DIMENSIONES DE LAS VALVULAS VALVES DIMENSIONS													PN 10		PN 16		AN SI150		
DN		A	B	C	D	E	F1	F2	G	J	L	NºXM	PESO WEIGHT	K	TALADROS HOLES Nº x T	K	TALADROS HOLES Nº x T	K	TALADROS HOLES Nº x T
MM	"																		
DN40-600																			
40	1 1/2"	205	140	83	88	33	9.5	10	154	8	70	4x9	2.5	110	4x18	110	4x18	98.5	4x16
50	2"	226	156	103	88	43	9.5	10	172	8	70	4x9	4	125	4x18	125	4x18	120.6	4x19
65	2 1/2"	242	161	117	88	46	12	14	178	9	70	4x9	4.5	145	4x18	145	4x18	139.7	4x19
80	3"	262	167	134	88	46	14	16	190	11	70	4x9	5	160	4x18	160	4x18	152.4	4x19
100	4"	290	184	150	88	52	14	16	207	11	70	4x9	6.5	180	4x18	180	4x18	190.5	4x19
125	5"	326	207	185	105	56	17	18	250	14	70	4x9	9.5	210	4x18	210	4x18	215.9	4x23
150	6"	348	215	205	105	56	17	18	270	14	70	4x9	10.5	240	4x23	240	4x23	241.3	4x23
200	8"	438	257	270	105	60	21	22	340	17	70	4x9	17.5	295	4x23	295	4x23	298.5	4x23
250	10"	450	248	320	150	68	23	26	402	19	102	4x11	30.5	350	4x23	355	4x28	362	4x26
300	12"	515	280	373	150	78	26.5	28	451	22	102	4x11	42	400	4x23	410	4x28	431.8	4x26
350	14"	582	300	437	170	78	26.5	28	40	22	102	4x18	50	460	4x23	470	4x28	476.3	4x29
400	16"	645	340	486	170	102	33	35.5	40	27	140	4x18	65	515	4x27	525	4x30	539.8	4x29
450	18"	738	394	538	175	114	50	-	80	-	140	4x18	93	565	4xM24	585	4xM27	577.9	4x1 1/8"
500	20"	822	440	595	175	127	50	-	80	-	140	4x18	130	620	4xM24	650	4xM30	635	4x1 1/8"
600	24"	965	507	695	250	154	60	-	90	-	165	4x22	195	725	4xM27	770	4xM33	749.3	4x1 1/8"



www.ttv.es

**WAFER PTFE-INOX DN32-300 PN10-16-ANSI150  
VALVE WITH BARE SHAFT**

DATE: 27-01-2016  
REVISION: 0  
PAGE: 1/1  
REF.:  
WTPINOXINOX32300

**MODEL: STANDARD**

C/ Severo Ochoa, 11  
28914 Leganés  
Madrid - Spain  
Tel.: +34 916857365

Body: ASTM A351 CF 8M  
Shaft: AISI 316 / AISI 630  
Disc: ASTM A 351 CF 8M  
Seat: PTFE  
Temperature: -25°C up to +200°C

Operation pressure: 16 bar. till DN150  
from DN200 10 bar.

Tolerances: ISO 2768-m

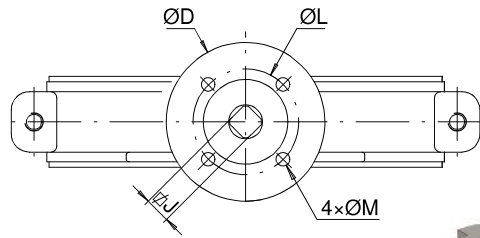
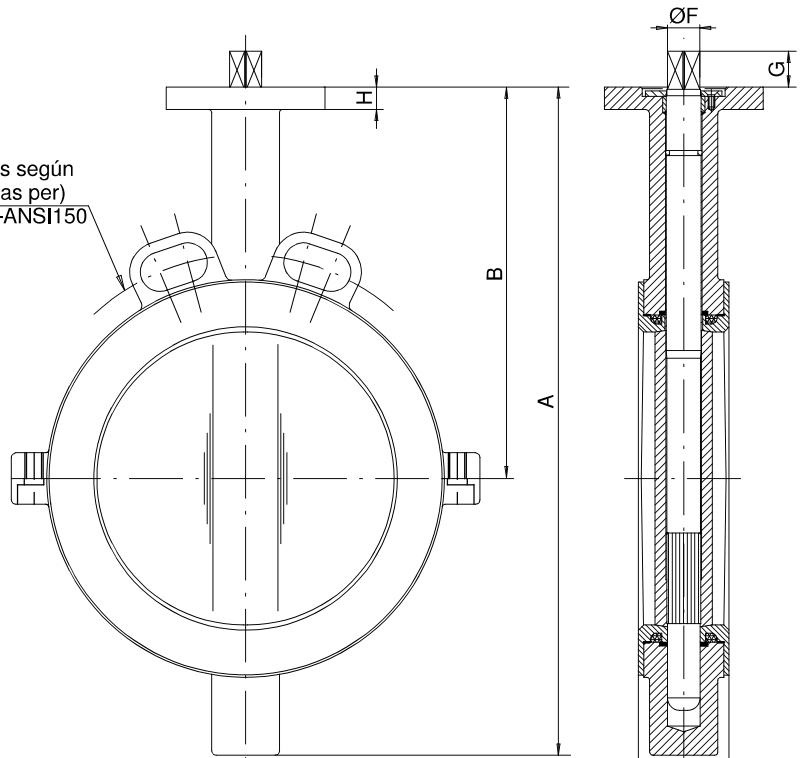
Face to Face: EN 558 Series 20  
ISO 5752 Series 20  
API 609 Table 1  
BS 5155 Series 4

Pressure test according to standards: ISO 5208  
API 598

Mounting between flanges: ISO 7005 - 1, 2 & 3 PN10-16  
ANSI B16.5 CL. 150#  
JIS B2210-10K  
AS2129 TABLE E

Tightness test: ISO 5208, Rate A  
API 598

Taladros según  
(Holes as per)  
PN10-16-ANSI150



DN		A	B	ØD	E	ØF	G	ØJ	H	ØL	ØM
mm.	inch.										
40	1½"	205	140	88	33	9,5	14	8	24	70	9
50	2"	226	156	88	43	9,5	14	8	24	70	9
65	2½"	242	161	88	46	12	16	9	24	70	9
80	3"	262	167	88	46	14	16	11	24	70	9
100	4"	290	184	88	52	14	20	11	24	70	9
125	5"	326	207	105	56	17	20	14	24	70	9
150	6"	348	215	105	56	17	20	14	24	70	9
200	8"	438	257	105	60	21	24	17	24	70	9
250	10"	448	248	150	68	23	24	19	20	102	11
300	12"	514	280	150	78	26,5	24	22	20	102	11



www.ttv.es

**WAFER PTFE-INOX DN32-300 PN10-16-ANSI150  
VALVE WITH BARE SHAFT**

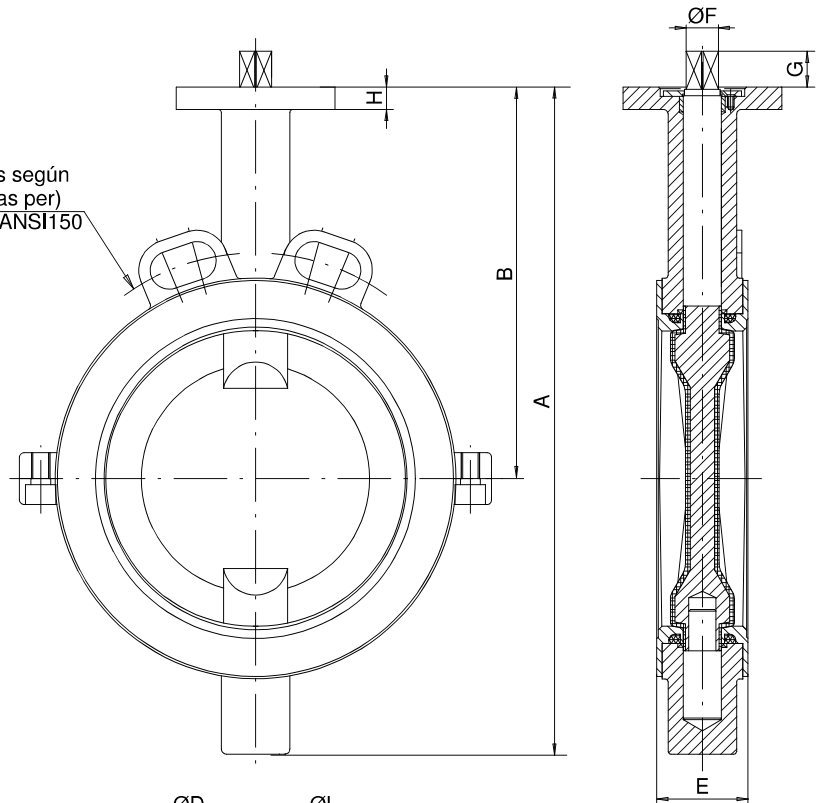
**MODEL: STANDARD**

DATE: 27-01-2016  
REVISION: 0  
PAGE: 1/1  
REF.:  
WTPINOXPTFEORJ32300

C/ Severo Ochoa, 11  
28914 Leganés  
Madrid - Spain  
Tel.: +34 916857365

Body: ASTM A351 CF 8M  
Shaft: AISI 316 / AISI 630  
Disc: Stainless Steel 316  
ASTM A 351 CF 8M  
+ PTFE coated  
Seat: PTFE  
Temperature: -25°C up to +200°C

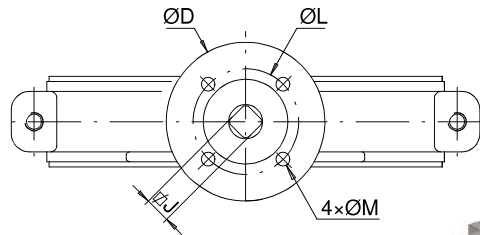
Taladros según  
(Holes as per)  
PN10-16-ANSI150



Operation pressure: 16 bar. till DN150  
from DN200 10 bar.

Tolerances: ISO 2768-m

Face to Face: EN 558 Series 20  
ISO 5752 Series 20  
API 609 Table 1  
BS 5155 Series 4



Pressure test according  
to standards: ISO 5208  
API 598

Mounting between  
flanges: ISO 7005 - 1, 2 & 3 PN10-16  
ANSI B16.5 CL. 150#  
JIS B2210-10K  
AS2129 TABLE E

Tightness test: ISO 5208, Rate A  
API 598



DN		A	B	ØD	E	ØF	G	∅J	H	ØL	ØM
mm.	inch.										
40	1½"	205	140	88	33	9,5	14	8	24	70	9
50	2"	226	156	88	43	9,5	14	8	24	70	9
65	2½"	242	161	88	46	12	16	9	24	70	9
80	3"	262	167	88	46	14	16	11	24	70	9
100	4"	290	184	88	52	14	20	11	24	70	9
125	5"	326	207	105	56	17	20	14	24	70	9
150	6"	348	215	105	56	17	20	14	24	70	9
200	8"	438	257	105	60	21	24	17	24	70	9
250	10"	448	248	150	68	23	24	19	20	102	11
300	12"	514	280	150	78	26,5	24	22	20	102	11